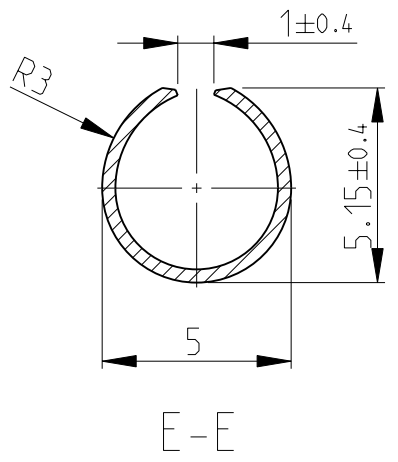
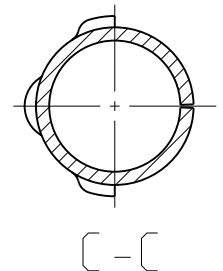
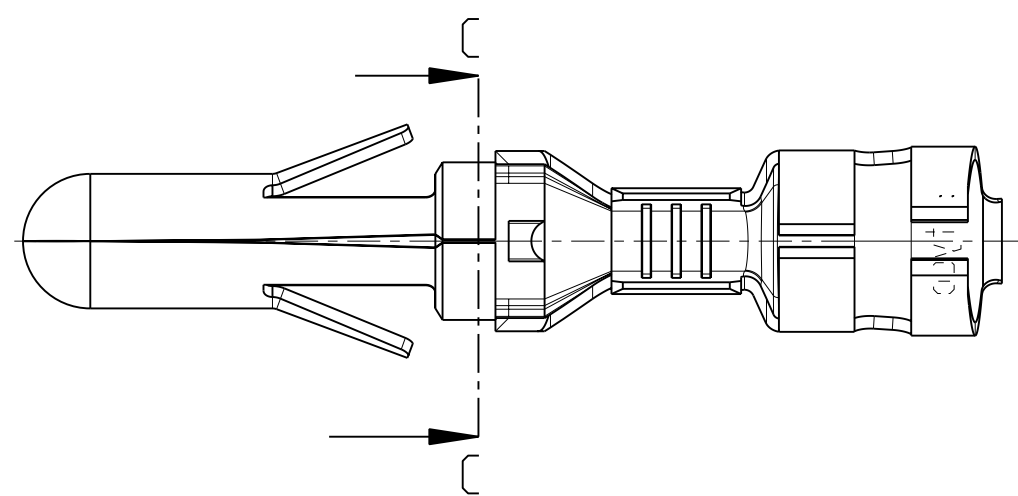
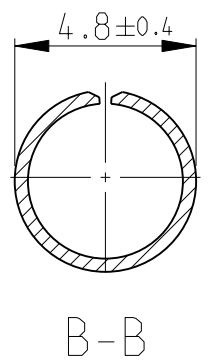
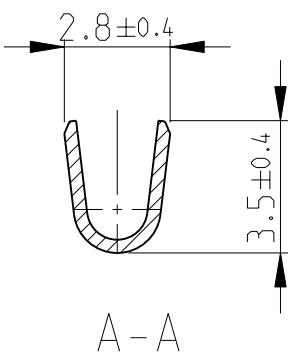
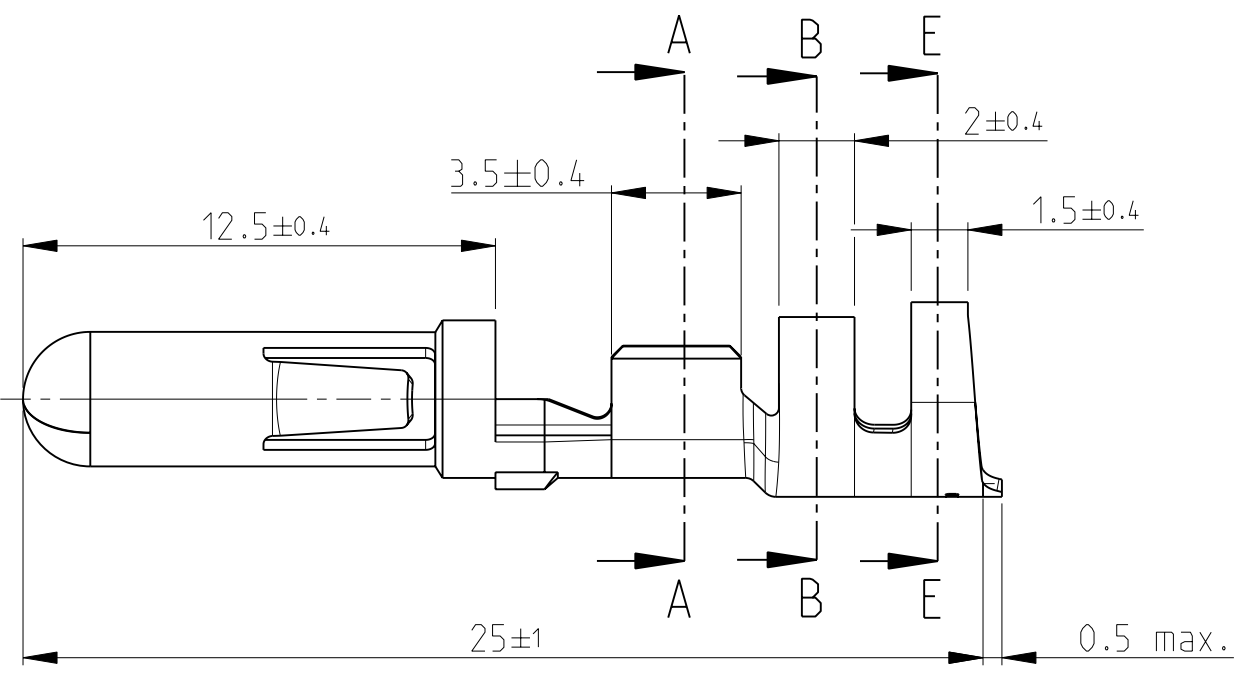


THIS DRAWING IS UNPUBLISHED. RELEASED FOR PUBLICATION 2008
 © COPYRIGHT 2008 BY TYCO ELECTRONICS CORPORATION. ALL RIGHTS RESERVED.

LOC	DIST	REVISIONS			
P	LTR	DESCRIPTION	DATE	DWN	APVD
AL	2	Y	New drawing released	12NOV2008	J.S P.E.G

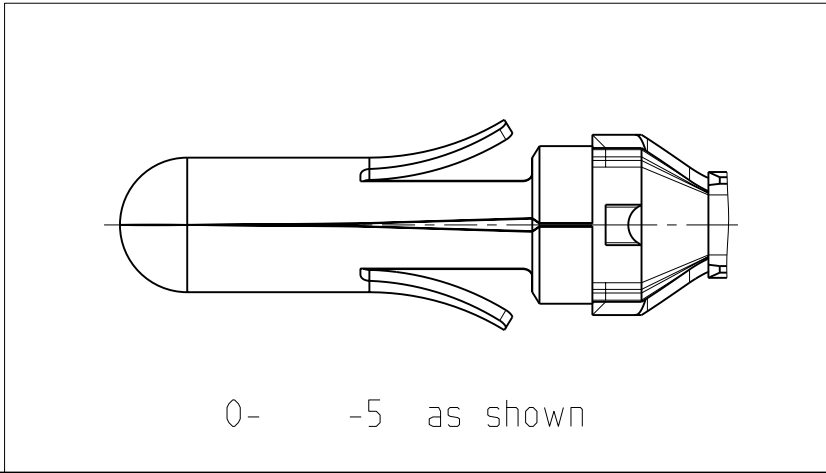


Terminal Conductor: FLK-Cable
 Conductor: F-Crimp
 Insulation: F-Crimp

Cross-section in mm ²										
	Single connection	0.50	0.75	1.00	1.50	2.00	2.50	3.00	4.00	6.00
0.50	X	X	X	X	X					
0.75	X	X	X	X						
1.00	X	X	X	X						
1.50	X	X								
2.00										
2.50										
3.00										
4.00										
6.00										

0- -1,2,3,4,6,7 as shown

Wire size: 0.5-2.0 mm²



Bright	Brass	925660-7
Gold over Ni	Phosphor Bronze	925660-6
Pre-tin plated	Steel	925660-5
Bright	Phosphor Bronze	925660-4
Silver	Phosphor Bronze	925660-3
Pre-tin plated	Phosphor Bronze	925660-2
Pre-tin plated	Brass	925660-1
Finish	Material	Part no.

THIS DRAWING IS A CONTROLLED DOCUMENT FOR TYCO ELECTRONICS CORPORATION IT IS SUBJECT TO CHANGE AND THE CONTROLLING ENGINEERING ORGANIZATION SHOULD BE CONTACTED FOR THE LATEST REVISION.

DIMENSIONS:		TOLERANCES UNLESS OTHERWISE SPECIFIED:	
mm			
	0 PLC	±0.2	
	1 PLC	±0.2	
	2 PLC	±0.2	
	3 PLC	±	
	4 PLC	±	
	ANGLES	±1° 30'	
MATERIAL	See table	FINISH	See table

DWN	J. Salo	12NOV2008
CHK	R. Sole	12NOV2008
APVD	P.F.Grassano	12NOV2008
PRODUCT SPEC	108-1032	
APPLICATION SPEC	114-1007	
WEIGHT	-	
CUSTOMER DRAWING		

		Tyco Electronics AMP España, S.A. Barcelona, Spain.	
NAME .140 DIA PIN			
SIZE	CAGE CODE	DRAWING NO	RESTRICTED TO
A3	-	925660	-
SCALE 2:1		SHEET 1 OF 1	REV Y