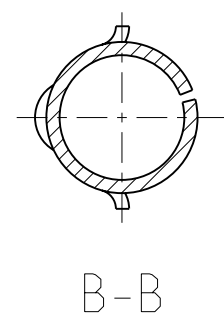
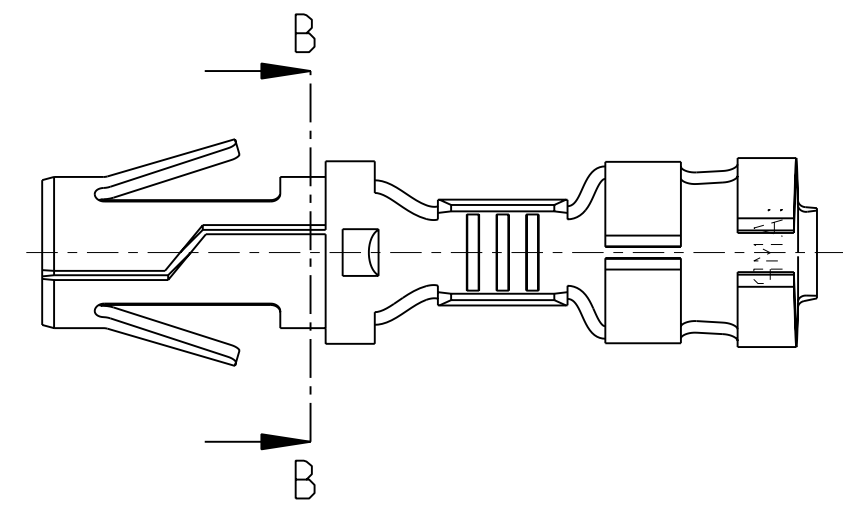
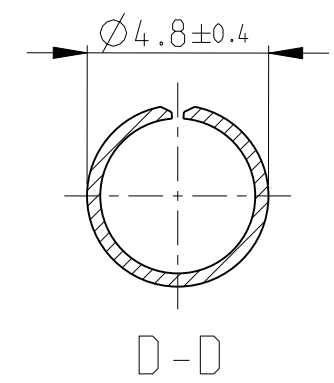
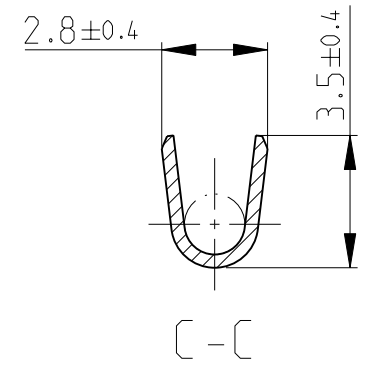
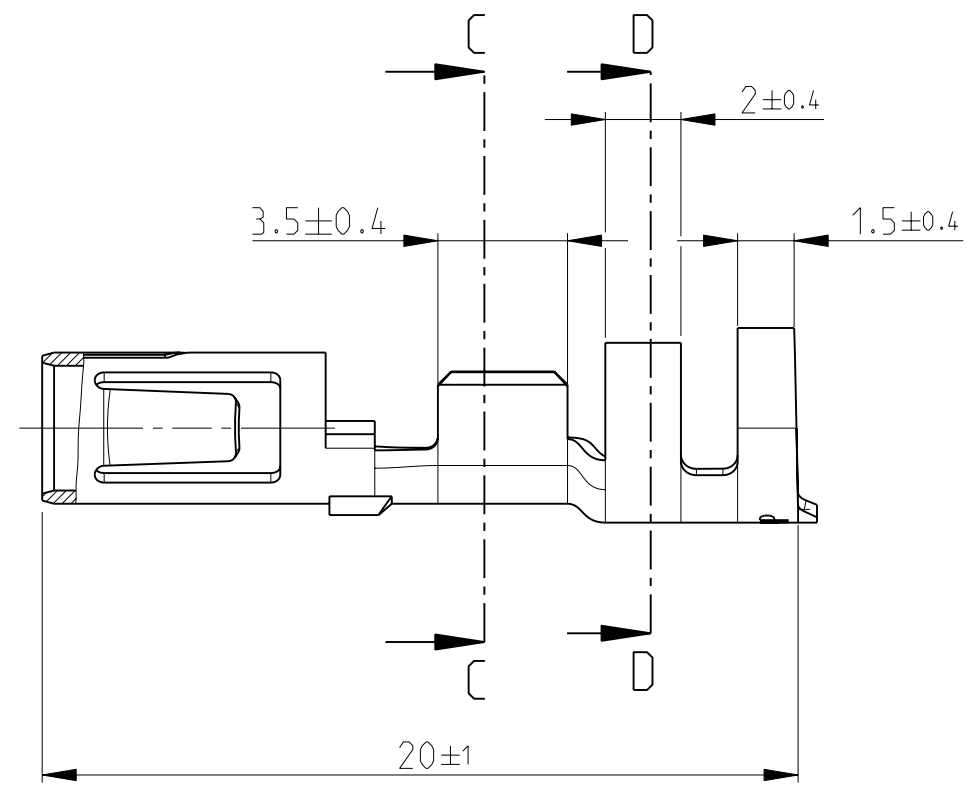


THIS DRAWING IS UNPUBLISHED. RELEASED FOR PUBLICATION 2008
 © COPYRIGHT 2008 BY TYCO ELECTRONICS CORPORATION. ALL RIGHTS RESERVED.

LOC	DIST	REVISIONS				
P	LTR	DESCRIPTION	DATE	DWN	APVD	
AL	2	Y	New drawing released	21NOV2008	J.S	P.E.G



Terminal Conductor: FLK-Cable
 Conductor: F-Crimp
 Insulation: F-Crimp

Cross section in mm ²									
Single connection	0.50	0.75	1.00	1.50	2.00	2.50	3.00	4.00	6.00
0.50	X	X	X	X	X				
0.75	X	X	X	X					
1.00	X	X	X	X					
1.50	X	X							
2.00									
2.50									
3.00									
4.00									
6.00									

Plain	Phosphor Bronze	925661-9
Gold over Ni.	Phosphor Bronze	925661-7
Gold over Ni.	Phosphor Bronze	925661-6
Plain	Phosphor Bronze	925661-4
Silver	Phosphor Bronze	925661-3
Pre-tin	Phosphor Bronze	925661-2
Pre-tin	Brass	925661-1
Finish	Material	Part no.

925661-8 strip free
 Wire size range: 0.5-2.0 mm²

THIS DRAWING IS A CONTROLLED DOCUMENT FOR TYCO ELECTRONICS CORPORATION
 IT IS SUBJECT TO CHANGE AND THE CONTROLLING ENGINEERING ORGANIZATION
 SHOULD BE CONTACTED FOR THE LATEST REVISION.

DIMENSIONS:		TOLERANCES UNLESS OTHERWISE SPECIFIED:	
mm			
	0 PLC	±	
	1 PLC	±0.2	
	2 PLC	±	
	3 PLC	±	
	4 PLC	±	
	ANGLES	±1°	30'
	FINISH	see table	
MATERIAL		see table	

DWN	J. Salo	21NOV2008
CHK	R. Sole	21NOV2008
APVD	P.F.Grassano	21NOV2008
PRODUCT SPEC	-	
APPLICATION SPEC	-	
WEIGHT	-	

Tyco Electronics AMP España, S.A. Barcelona, Spain.	
NAME .140 DIA SOCKET	
SIZE A3	CAGE CODE -
DRAWING NO C-925661	RESTRICTED TO -
CUSTOMER DRAWING	SCALE 5:1 SHEET 1 OF 1 REV Y