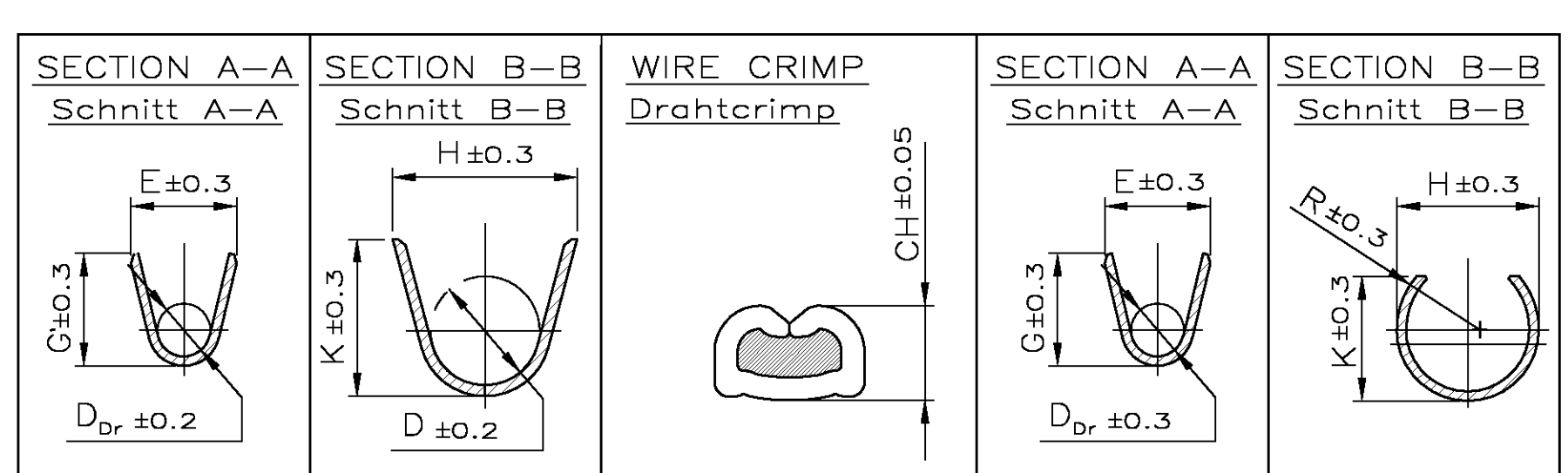
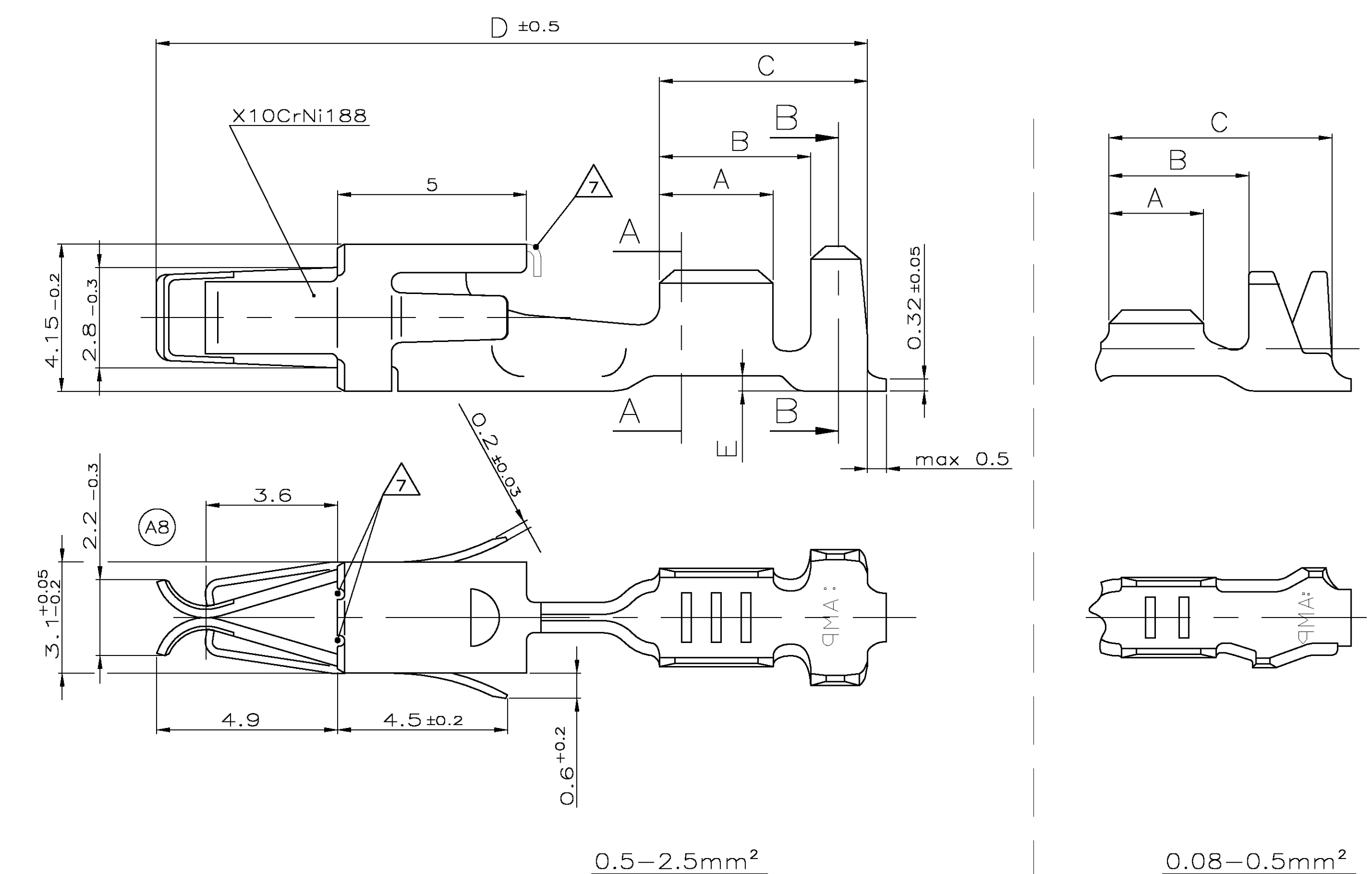
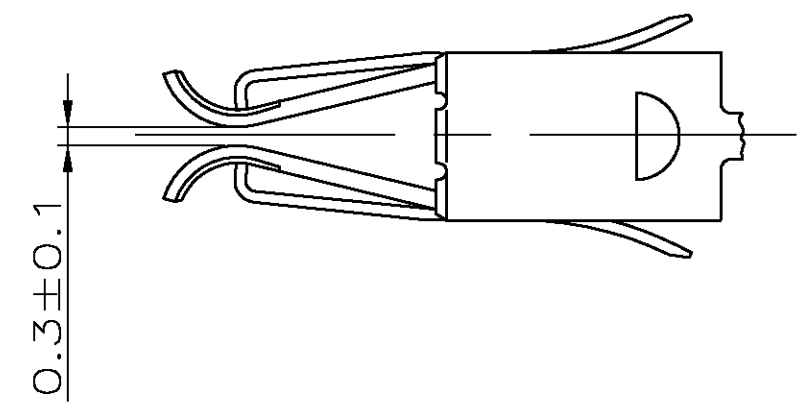


REMARKS
 Bemerkungen

- 1 CONTACT BODY PRE-SILVER PLATED MIN. 0.8µm CONTACT ZONE SELECTIVE PRE-SILVER PLATED MIN. 3µm
 Kontaktkoerper vorversilbert min. 0,8µm Kontaktzone selektiv vorversilbert min. 3µm
- 2 CONTACT ZONE GOLD PLATED MIN. 0.8µm OVER MIN. 1.3µm Ni-LAYER CRIMP AREA MIN. 1µm TIN PLATED OVER Ni-LAYER
 Kontaktzone vergoldet min. 0,8µm ueber min. 1,3µm Ni-Zwischenschicht Crimpbereich min. 1µm verzinkt ueber Ni-Zwischenschicht
- 3 CANTILEVER SPRING INSIDE AND OUTSIDE 0.4-1.2µm Au
 Ueberfeder innen und aussen 0,4-1,2µm Au
- 4 CONTACT BODY, CONTACT SPRING INSIDE AND CRIMP AREA MIN. 1µm TIN PLATED OVER Ni-LAYER, TOUCHING AREA TO CANTILEVER SPRING AND CONTACT SPRING OUTSIDE SELECTIVE 0.8µm Au OVER MIN. 1.3µm Ni-LAYER
 Kontaktkoerper, Kontaktfeder innen und Crimpbereich min. 1µm verzinkt ueber Ni-Zwischenschicht, Anlageflaeche zur Ueberfeder und Kontaktfeder aussen selektiv 0,8µm vergoldet ueber min. 1µm Ni-Zwischenschicht
- 5 CONTACT ZONE AND TOUCHING AREA TO CANTILEVER SPRING MIN. 0.8µm SELECTIVE Au PLATED OVER 1.3µm Ni PLATED, CRIMP AREA MIN. 1µm TIN PLATED OVER Ni-LAYER
 Kontaktzone und Anlageflaeche zur Ueberfeder min. 0,8µm selektiv ueber Ni-Zwischenschicht Crimpbereich min. 1µm verzinkt ueber Ni-Zwischenschicht
- 6 CONTACT BODY AND CRIMP AREA MIN. 1µm TIN PLATED OVER Ni-LAYER, TOUCHING AREA TO CANTILEVER SPRING SELECTIVE 0.8µm Au OVER MIN. 1.3µm Ni-LAYER
 Kontaktkoerper und Crimpbereich min. 1µm verzinkt ueber Ni-Zwischenschicht Anlageflaeche zur Ueberfeder selektiv 0,8µm vergoldet ueber min. 1,3µm Ni-Zwischenschicht
- 7 CONTACT OFF OPTIONAL
 Abschnitt\Freisschnitt optional
- 8 CONTACT RE-TREATED WITH LUBRICANT BARRIERTA DISPERSION
 Kontakt mit Gleitmittel Barrierta Dispersion behandelt
- 9 VARIANTS WITH GAP-SIZE 0.3±0.1mm
 Varianten mit Gap-Size 0.3±0.1mm



| ORDER-No. | REV | TE ORDER-No. | MATERIAL | SURFACE | DGB [mm²] | WIRE CRIMP | WIRE CRIMP | SECTION A-A | SECTION B-B | APPLICATION TOOL | HAND TOOL | A | B | C | D | E |
|------------|-----|--------------|----------|---------------------|-----------|---|-------------------------------|---|---|----------------------------|--------------------------------------|-----|-----|-----|------|-----|
| 928810-3 | A | 928810-4 | CuSn4 | vorverzinkt min 1µm | 0.5-1.0 | E = 2.6 G = 2.8 D _{cr} = 1.1 | H = 3.6 K = 3.9 D = 1.8 | 0.5mm² = 1.18 0.75mm² = 1.27 1.0mm² = 1.36 | | MQC-Applicator 878181-2 | 539635-1 mit Matrize: 539674-2 | 3.0 | 4.0 | 5.5 | 18.8 | 0.4 |
| 928810-1 | A | 928810-2 | CuSn4 | vorverzinkt min 1µm | FLR | E = 2.6 G = 2.8 D _{cr} = 1.1 | H = 3.6 K = 3.9 D = 1.8 | 0.5mm² = 1.18 0.75mm² = 1.27 1.0mm² = 1.36 | | MQC-Applicator 878181-2 | 539635-1 mit Matrize: 539674-2 | 3.0 | 4.0 | 5.5 | 18.8 | 0.4 |
| 963884-2 | A | 963885-2 | CuSn4 | vorverzinkt min 1µm | >1.0-2.5 | E = 3.6 G = 3.8 D _{cr} = 1.8 | H = 4.7 K = 4.9 D = 2.6 | 1.25mm² = 1.44 1.5mm² = 1.51 2.0mm² = 1.64 2.5mm² = 1.77 | E = 2.8 G = 3.9 D _{cr} = 1.7 | MQC-Applicator 878180-2 | 539635-1 mit Matrize: 539674-2 | 3.3 | 4.3 | 5.8 | 18.8 | 0.4 |
| 2-927773-1 | P | 2-927781-1 | CuSn4 | | | | | | | | | | | | | |
| 1-927773-1 | P | 1-927781-1 | CuFe2 | | | | | | | | | | | | | |
| 927773-6 | N | 927781-6 | CuSn4 | | | | | | | | | | | | | |
| 927773-3 | N | 927781-3 | CuSn4 | vorverzinkt min 1µm | | | | | | | | | | | | |
| 927773-1 | N | 927781-1 | CuFe2 | | | | | | | | | | | | | |
| 2-927768-1 | R | 2-927777-1 | CuSn4 | | | | | | | | | | | | | |
| 1-927768-1 | R | 1-927777-1 | CuFe2 | | | | | | | | | | | | | |
| 927768-9 | P | 927777-9 | CuSn4 | | | | | | | | | | | | | |
| 927768-6 | P | 927777-6 | CuSn4 | | | | | | | | | | | | | |
| 927768-3 | P | 927777-3 | CuSn4 | vorverzinkt min 1µm | | | | | | | | | | | | |
| 927768-1 | P | 927777-1 | CuFe2 | | | | | | | | | | | | | |
| 2-927771-2 | N | 2-927779-2 | CuSn4 | | | | | | | | | | | | | |
| 2-927771-1 | N | 2-927779-1 | CuSn4 | | | | | | | | | | | | | |
| 1-927771-1 | N | 1-927779-1 | CuFe2 | | | | | | | | | | | | | |
| 927771-9 | M | 927779-9 | CuSn4 | | | | | | | | | | | | | |
| 927771-8 | N | 927779-8 | CuSn4 | | | | | | | | | | | | | |
| 927771-6 | M | 927779-6 | CuSn4 | | | | | | | | | | | | | |
| 927771-3 | M | 927779-3 | CuSn4 | vorverzinkt min 1µm | | | | | | | | | | | | |
| 927771-1 | M | 927779-1 | CuFe2 | | | | | | | | | | | | | |
| 2-927774-1 | C | 2-927776-1 | CuSn4 | | | | | | | | | | | | | |
| 1-927774-1 | C | 1-927776-1 | CuFe2 | | | | | | | | | | | | | |
| 927774-8 | C | 927776-8 | CuSn4 | | | | | | | | | | | | | |
| 927774-6 | B | 927776-6 | CuSn4 | | | | | | | | | | | | | |
| 927774-3 | B | 927776-3 | CuSn4 | vorverzinkt min 1µm | | | | | | | | | | | | |
| 927774-1 | B | 927776-1 | CuFe2 | | | | | | | | | | | | | |
| 2-963708-1 | C | 2-963777-1 | CuSn4 | | | | | | | | | | | | | |
| 1-963708-1 | C | 1-963777-1 | CuFe2 | | | | | | | | | | | | | |
| 963708-6 | B | 963777-6 | CuSn4 | | | | | | | | | | | | | |
| 963708-3 | B | 963777-3 | CuSn4 | vorverzinkt min 1µm | | | | | | | | | | | | |
| 963708-1 | B | 963777-1 | CuFe2 | | | | | | | | | | | | | |

UNSEALD
 ungedichtet

THIS DRAWING IS NOT SUBJECT TO CONSTANT CHANGING SERVICE AND DOES NOT LAY CLAIM TO BE COMPLETE. FOR DEFINITE SPECIFICATION SEE RESPECTIVE AMP CUSTOMER DRAWINGS. FURTHER VERSIONS ON INQUIRY.

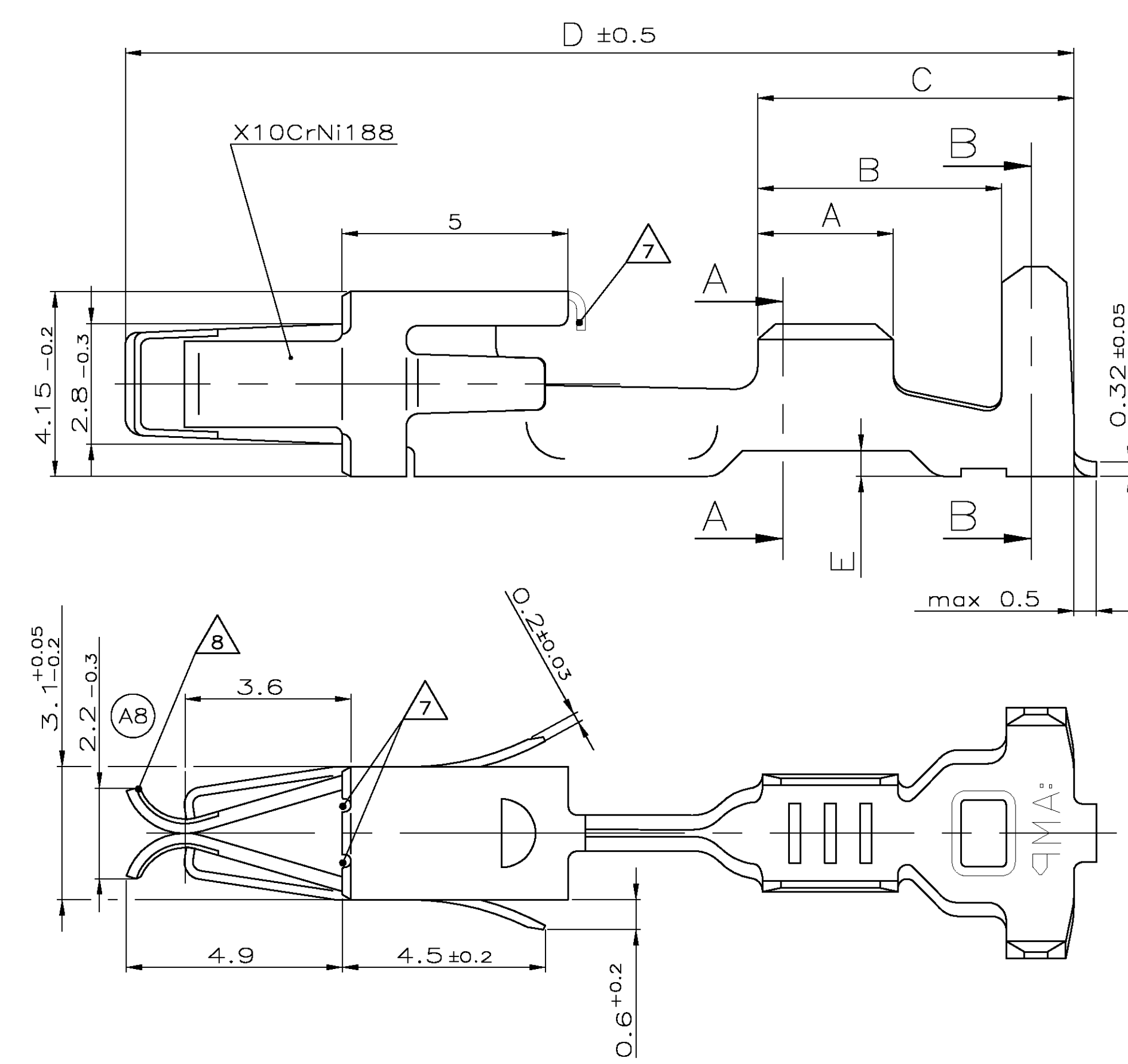
Diese Zeichnung unterliegt nicht dem ständigen Änderungsdienst und erhebt keinen Anspruch auf Vollständigkeit. Verbindliche Angaben sind der jeweiligen AMP-Kundenzeichnung zu entnehmen. Weitere Ausführungen auf Anfrage.

| | | | | |
|--|------------------------------|-----------------------------|---|---|
| THIS DRAWING IS A CONTROLLED DOCUMENT DESSE ZEICHNUNG IST EIN KONTROLLIERTES DOKUMENT | DATE: 09-JUN-99 J. Hübner | REV: 09-JUN-99 J. Hübner | BY: 64625 | FOR: 64625 |
| PRODUCT SPEC: 108-18013 | APPLICATION SPEC: 114-18050 | REVISIONS: 116-18016-002 | PRODUCT GROUP DRAWING FOR: JUNIOR POWER TIMER CONTACT | Product-Gruppen-Zeichnung fuer: JPT Kontakt |
| MATERIAL: SEE TABLE | FINISH: SEE TABLE | SCALE: 10:1 | SHEET: 1 OF 2 | REV: A9 |

UNDEALD / ungedichtet

REMARKS
 Bemerkungen

- 1 CONTACT BODY PRE-SILVER PLATED MIN. 0.8µm CONTACT ZONE SELECTIVE PRE-SILVER PLATED MIN. 3µm
 Kontaktkoerper vorversilbert min. 0,8µm Kontaktzone selektiv vorversilbert min. 3µm
- 2 CONTACT ZONE GOLD PLATED MIN. 0.8µm OVER MIN. 1.3µm Ni-LAYER CRIMP AREA MIN. 1µm TIN PLATED OVER Ni-LAYER
 Kontaktzone vergoldet min. 0,8µm ueber min. 1,3µm Ni-Zwischenschicht Crimpbereich min. 1µm verzinnt ueber Ni-Zwischenschicht
- 3 CANTILEVER SPRING INSIDE AND OUTSIDE 0.4-1.2µm Au
 Ueberfeder innen und aussen 0,4-1,2µm Au
- 4 CONTACT BODY, CONTACT SPRING INSIDE AND CRIMP AREA MIN. 1µm TIN PLATED OVER Ni-LAYER, TOUCHING AREA TO CANTILEVER SPRING AND CONTACT SPRING OUTSIDE SELECTIVE 0.8µm Au OVER MIN. 1.3µm Ni-LAYER
 Kontaktkoerper, Kontaktfeder innen und Crimpbereich min. 1µm verzinnt ueber Ni-Zwischenschicht, Anlageflaeche zur Ueberfeder und Kontaktfeder aussen selektiv 0,8µm vergoldet ueber min. 1,3µm Ni-Zwischenschicht
- 5 CONTACT ZONE AND TOUCHING AREA TO CANTILEVER SPRING MIN. 0.8µm SELECTIVE Au PLATED OVER 1.3µm Ni PLATED, CRIMP AREA 1µm TIN PLATED OVER Ni-LAYER
 Kontaktzone und Anlageflaeche zur Ueberfeder min. 0,8µm vergoldet min. 1,3µm Ni-Zwischenschicht Crimpbereich min. 1µm verzinnt ueber Ni-Zwischenschicht
- 6 CONTACT BODY AND CRIMP AREA MIN. 1µm TIN PLATED OVER Ni-LAYER, TOUCHING AREA TO CANTILEVER SPRING SELECTIVE 0.8µm Au OVER MIN. 1.3µm Ni-LAYER
 Kontaktkoerper und Crimpbereich min. 1µm verzinnt ueber Ni-Zwischenschicht, Anlageflaeche zur Ueberfeder selektiv 0,8µm vergoldet ueber min. 1,3µm Ni-Zwischenschicht
- 7 CUT OFF OPTIONAL
 Abschnitt\Freischnitt optional
- 8 SWAGE ONLY FOR PN 929937, 929939, 929941
 Swage nur fuer PN 929937, 929939, 929941



SINGLE WIRE SEAL
 Einzel-Dichtungs-System

SINGLE WIRE SEAL / Einzel-Dichtungs-System

| TE ORDER-NO. SINGLE SEAL Einzelichtung | TE ORDER-NO. DEAD END PLUG Blindstopfen | A | B | C | D | E | TE ORDER-NO. | TE ORDER-NO. | | | | | | | | | | | |
|--|---|-------|---|----------|-----|---|-------------------------------|---|---|--------------------------------|------------------------------|--------------------------------------|-----|-----|-----|------|-----|----------|----------|
| 2-927766-1 | E 2-929929-1 | CuSn4 | 2 | >1.0-2.5 | FLK | E = 3.6 G = 3.8 D _{cr} = 1.8 | H = 5.4 K = 4.6 D = 3.2 | 2.5mm ² = 1.77 2.0mm ² = 1.64 1.5mm ² = 1.51 | E = 2.8 G = 3.9 D = 1.7 | H = 4.8 K = 4.2 R = 2.8 | MQC-Applicator 2-878845-2 | 539635-1 mit Matrize: 539737-2 | 3.5 | 5.9 | 7.5 | 18.8 | 0.4 | 828905-1 | 828922-1 |
| 1-927766-1 | E 1-929929-1 | CuFe2 | 2 | >1.0-2.5 | FLR | E = 3.6 G = 3.8 D = 1.8 | H = 5.4 K = 4.6 D = 3.2 | 2.5mm ² = 1.77 2.0mm ² = 1.64 1.5mm ² = 1.51 | E = 2.8 G = 3.9 D = 1.7 | H = 4.8 K = 4.2 R = 2.8 | MQC-Applicator 2-878845-2 | 539635-1 mit Matrize: 539737-2 | 3.5 | 5.9 | 7.5 | 21 | 0.4 | 828905-1 | 828922-1 |
| 927766-3 | D 929929-3 | CuSn4 | 1 | >1.0-2.5 | FLR | E = 3.6 G = 3.8 D = 1.8 | H = 5.4 K = 4.6 D = 3.2 | 2.5mm ² = 1.77 2.0mm ² = 1.64 1.5mm ² = 1.51 | E = 2.8 G = 3.9 D = 1.7 | H = 4.8 K = 4.2 R = 2.8 | MQC-Applicator 2-878845-2 | 539635-1 mit Matrize: 539737-2 | 3.5 | 5.9 | 7.5 | 21 | 0.4 | 828905-1 | 828922-1 |
| 927766-1 | D 929929-1 | CuFe2 | 1 | >1.0-2.5 | FLR | E = 3.6 G = 3.8 D = 1.8 | H = 5.4 K = 4.6 D = 3.2 | 2.5mm ² = 1.77 2.0mm ² = 1.64 1.5mm ² = 1.51 | E = 2.8 G = 3.9 D = 1.7 | H = 4.8 K = 4.2 R = 2.8 | MQC-Applicator 2-878845-2 | 539635-1 mit Matrize: 539737-2 | 3.5 | 5.9 | 7.5 | 21 | 0.4 | 828905-1 | 828922-1 |
| 2-929937-1 | E 2-929938-1 | CuSn4 | 2 | 0.5-1.0 | FLR | E = 2.6 G = 2.8 D _{cr} = 1.1 | H = 5.4 K = 4.6 D = 3.2 | 1.0mm ² = 1.36 0.75mm ² = 1.27 0.5mm ² = 1.18 | E = 2.2 G = 2.8 D _{cr} = 1.2 | H = 4.6 K = 4.2 R = 2.3 | MQC-Applicator 878335-2 | 539635-1 mit Matrize: 539737-2 | 3 | 5.4 | 7 | 21 | 0.6 | 828904-1 | 828922-1 |
| 1-929937-1 | E 1-929938-1 | CuFe2 | 2 | 0.5-1.0 | FLR | E = 2.6 G = 2.8 D _{cr} = 1.1 | H = 5.4 K = 4.6 D = 3.2 | 1.0mm ² = 1.36 0.75mm ² = 1.27 0.5mm ² = 1.18 | E = 2.2 G = 2.8 D _{cr} = 1.2 | H = 4.6 K = 4.2 R = 2.3 | MQC-Applicator 878335-2 | 539635-1 mit Matrize: 539737-2 | 3 | 5.4 | 7 | 18.8 | 0.6 | 828904-1 | 828922-1 |
| 929937-6 | E 929938-6 | CuSn4 | 1 | 0.5-1.0 | FLR | E = 2.6 G = 2.8 D _{cr} = 1.1 | H = 5.4 K = 4.6 D = 3.2 | 1.0mm ² = 1.36 0.75mm ² = 1.27 0.5mm ² = 1.18 | E = 2.2 G = 2.8 D _{cr} = 1.2 | H = 4.6 K = 4.2 R = 2.3 | MQC-Applicator 878335-2 | 539635-1 mit Matrize: 539737-2 | 3 | 5.4 | 7 | 18.8 | 0.6 | 828904-1 | 828922-1 |
| 929937-3 | E 929938-3 | CuSn4 | 1 | 0.5-1.0 | FLR | E = 2.6 G = 2.8 D _{cr} = 1.1 | H = 5.4 K = 4.6 D = 3.2 | 1.0mm ² = 1.36 0.75mm ² = 1.27 0.5mm ² = 1.18 | E = 2.2 G = 2.8 D _{cr} = 1.2 | H = 4.6 K = 4.2 R = 2.3 | MQC-Applicator 878335-2 | 539635-1 mit Matrize: 539737-2 | 3 | 5.4 | 7 | 18.8 | 0.6 | 828904-1 | 828922-1 |
| 929937-1 | E 929938-1 | CuFe2 | 2 | 0.5-1.0 | FLR | E = 2.6 G = 2.8 D _{cr} = 1.1 | H = 5.4 K = 4.6 D = 3.2 | 1.0mm ² = 1.36 0.75mm ² = 1.27 0.5mm ² = 1.18 | E = 2.2 G = 2.8 D _{cr} = 1.2 | H = 4.6 K = 4.2 R = 2.3 | MQC-Applicator 878335-2 | 539635-1 mit Matrize: 539737-2 | 3 | 5.4 | 7 | 18.8 | 0.6 | 828904-1 | 828922-1 |
| 2-929939-1 | E 2-929940-1 | CuSn4 | 2 | 0.2-0.5 | FLR | E = 2.1 G = 2.1 D _{cr} = 0.8 | H = 5.4 K = 4.6 D = 3.2 | 0.5mm ² = 1.12 0.35mm ² = 1.05 0.25mm ² = 1.0 0.2mm ² = 0.98 | E = 1.7 G = 2.1 D _{cr} = 0.8 | H = 4.2 K = 4.35 R = 2.4 | MQC-Applicator 878334-2 | 539635-1 mit Matrize: 539737-2 | 2.5 | 4.9 | 6.5 | 21 | 0.9 | 828904-1 | 828922-1 |
| 1-929941-1 | E 1-929942-1 | CuFe2 | 2 | 0.2-0.5 | FLR | E = 2.1 G = 2.1 D _{cr} = 0.8 | H = 5.4 K = 4.6 D = 3.2 | 0.5mm ² = 1.12 0.35mm ² = 1.05 0.25mm ² = 1.0 0.2mm ² = 0.98 | E = 1.7 G = 2.1 D _{cr} = 0.8 | H = 4.2 K = 4.35 R = 2.4 | MQC-Applicator 878334-2 | 539635-1 mit Matrize: 539737-2 | 2.5 | 4.9 | 6.5 | 18.8 | 0.9 | 828904-1 | 828922-1 |
| 929941-6 | D 929942-6 | CuSn4 | 1 | 0.2-0.5 | FLR | E = 2.1 G = 2.1 D _{cr} = 0.8 | H = 5.4 K = 4.6 D = 3.2 | 0.5mm ² = 1.12 0.35mm ² = 1.05 0.25mm ² = 1.0 0.2mm ² = 0.98 | E = 1.7 G = 2.1 D _{cr} = 0.8 | H = 4.2 K = 4.35 R = 2.4 | MQC-Applicator 878334-2 | 539635-1 mit Matrize: 539737-2 | 2.5 | 4.9 | 6.5 | 18.8 | 0.9 | 828904-1 | 828922-1 |
| 929941-3 | D 929942-3 | CuSn4 | 1 | 0.2-0.5 | FLR | E = 2.1 G = 2.1 D _{cr} = 0.8 | H = 5.4 K = 4.6 D = 3.2 | 0.5mm ² = 1.12 0.35mm ² = 1.05 0.25mm ² = 1.0 0.2mm ² = 0.98 | E = 1.7 G = 2.1 D _{cr} = 0.8 | H = 4.2 K = 4.35 R = 2.4 | MQC-Applicator 878334-2 | 539635-1 mit Matrize: 539737-2 | 2.5 | 4.9 | 6.5 | 18.8 | 0.9 | 828904-1 | 828922-1 |
| 929941-1 | D 929942-1 | CuFe2 | 2 | 0.2-0.5 | FLR | E = 2.1 G = 2.1 D _{cr} = 0.8 | H = 5.4 K = 4.6 D = 3.2 | 0.5mm ² = 1.12 0.35mm ² = 1.05 0.25mm ² = 1.0 0.2mm ² = 0.98 | E = 1.7 G = 2.1 D _{cr} = 0.8 | H = 4.2 K = 4.35 R = 2.4 | MQC-Applicator 878334-2 | 539635-1 mit Matrize: 539737-2 | 2.5 | 4.9 | 6.5 | 18.8 | 0.9 | 828904-1 | 828922-1 |
| 1-927772-1 | D 1-929931-1 | CuFe2 | 2 | 0.2-0.5 | FLR | E = 2.1 G = 2.1 D _{cr} = 0.8 | H = 5.4 K = 4.6 D = 3.2 | 0.5mm ² = 1.12 0.35mm ² = 1.05 0.25mm ² = 1.0 0.2mm ² = 0.98 | E = 1.7 G = 2.1 D _{cr} = 0.8 | H = 4.2 K = 4.35 R = 2.4 | MQC-Applicator 878334-2 | 539635-1 mit Matrize: 539737-2 | 2.5 | 4.9 | 6.5 | 18.8 | 0.9 | 828904-1 | 828922-1 |
| 927772-3 | C 929931-3 | CuSn4 | 2 | 0.2-0.5 | FLR | E = 2.1 G = 2.1 D _{cr} = 0.8 | H = 5.4 K = 4.6 D = 3.2 | 0.5mm ² = 1.12 0.35mm ² = 1.05 0.25mm ² = 1.0 0.2mm ² = 0.98 | E = 1.7 G = 2.1 D _{cr} = 0.8 | H = 4.2 K = 4.35 R = 2.4 | MQC-Applicator 878334-2 | 539635-1 mit Matrize: 539737-2 | 2.5 | 4.9 | 6.5 | 18.8 | 0.9 | 828904-1 | 828922-1 |
| 927772-1 | C 929931-1 | CuFe2 | 2 | 0.2-0.5 | FLR | E = 2.1 G = 2.1 D _{cr} = 0.8 | H = 5.4 K = 4.6 D = 3.2 | 0.5mm ² = 1.12 0.35mm ² = 1.05 0.25mm ² = 1.0 0.2mm ² = 0.98 | E = 1.7 G = 2.1 D _{cr} = 0.8 | H = 4.2 K = 4.35 R = 2.4 | MQC-Applicator 878334-2 | 539635-1 mit Matrize: 539737-2 | 2.5 | 4.9 | 6.5 | 18.8 | 0.9 | 828904-1 | 828922-1 |

THIS DRAWING IS NOT SUBJECT TO CONSTANT CHANGING SERVICE AND DOES NOT LAY CLAIM TO BE COMPLETE. FOR DEFINITE SPECIFICATION SEE RESPECTIVE AMP CUSTOMER DRAWINGS. FURTHER VERSIONS ON INQUIRY.

Diese Zeichnung unterliegt nicht dem ständigem Aenderungsdienst und erhebt keinen Anspruch auf Vollstaendigkeit. Verbindliche Angaben sind der jeweiligen AMP-Kundenzeichnung zu entnehmen. Weitere Ausfuehrungen auf Anfrage.

| | | |
|---|---------------|--|
| THIS DRAWING IS A CONTROLLED DOCUMENT SESSE ZIEHNUNG IST EIN KONTROLLIERTES DOKUMENT | REV. 01 01/99 | Tyco Electronics Corporation |
| DWG. No. 64625 | 01/99 | Tyco Electronics Corporation |
| DATE | 01/99 | Tyco Electronics Corporation |
| PRODUCT SPEC | 109-18013 | PRODUCT GROUP DRAWING FOR: JUNIOR POWER TIMER CONTACT |
| APPLICATION SPEC | 114-18050 | Produkt-Gruppen-Zeichnung fuer: JPT Kontakt |
| REVISION | 00779 | REPLACES 116-18016-002 |
| SCALE | 1:1 | RESTRICTED TO: RESTRICTED CUSTOMER/UNDEUTSCHUNG |
| SHEET | 2 of 2 | REV. 01/99 |